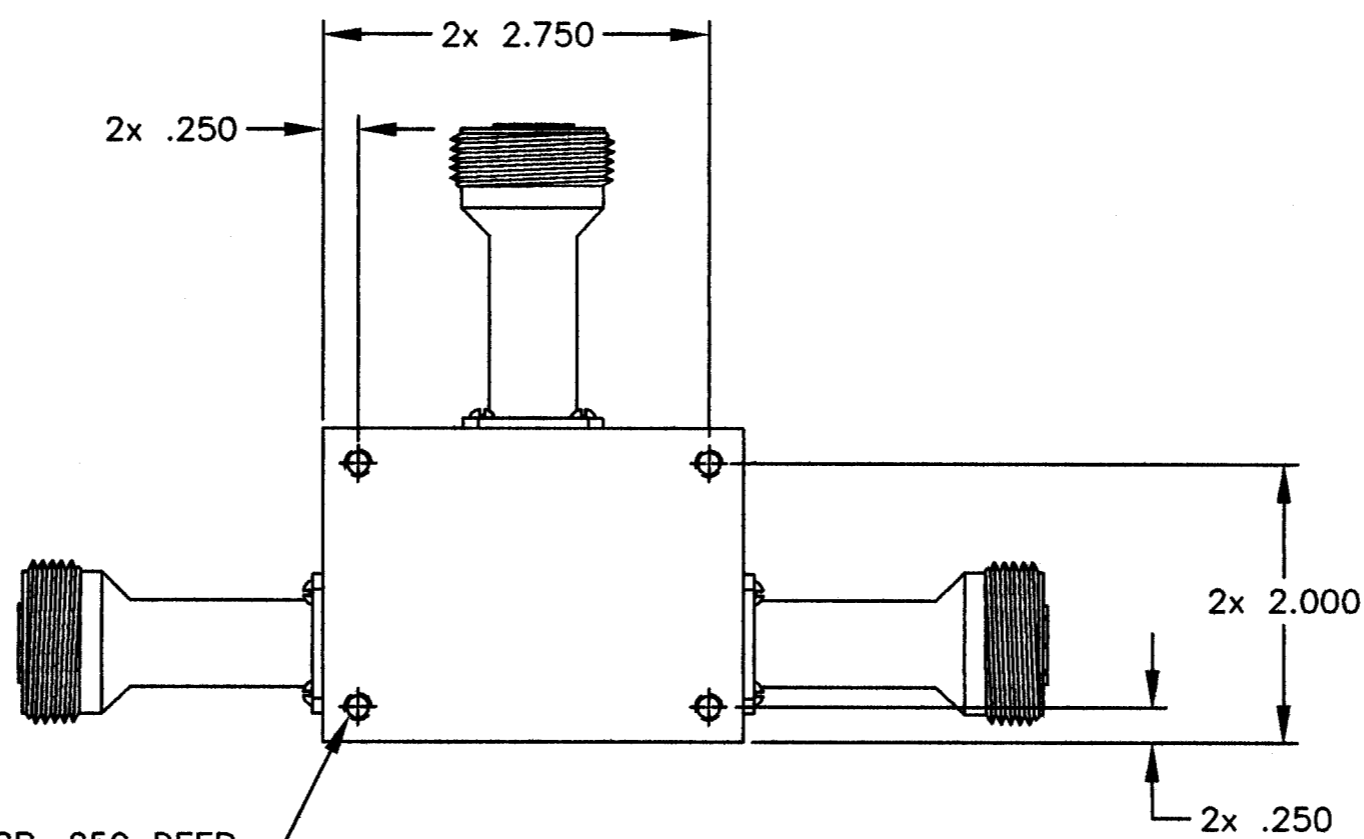
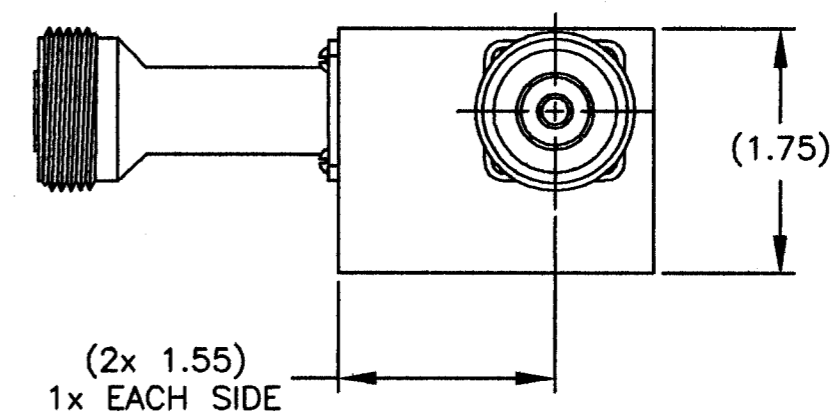
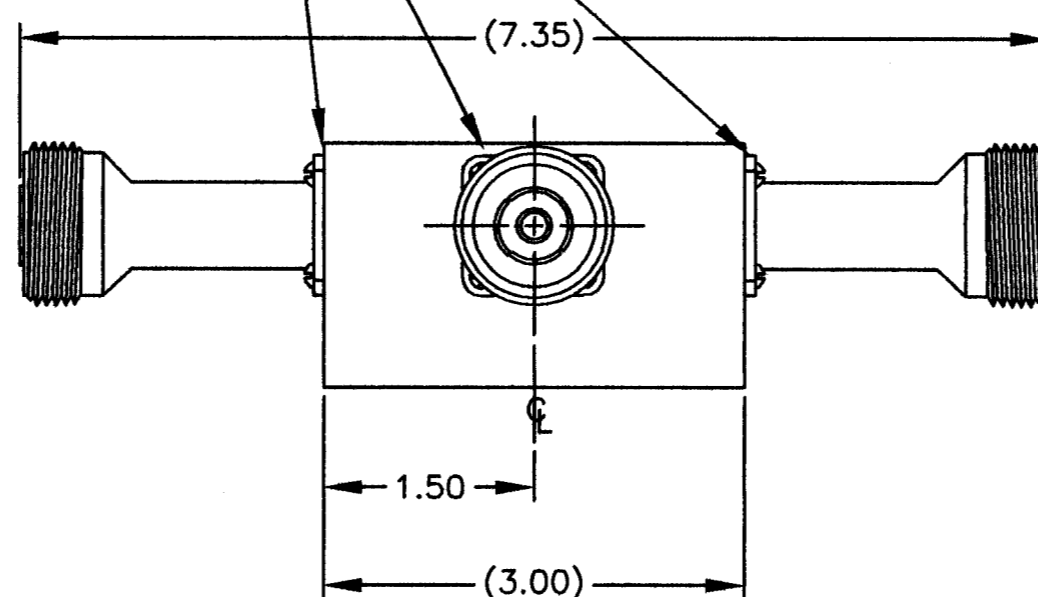
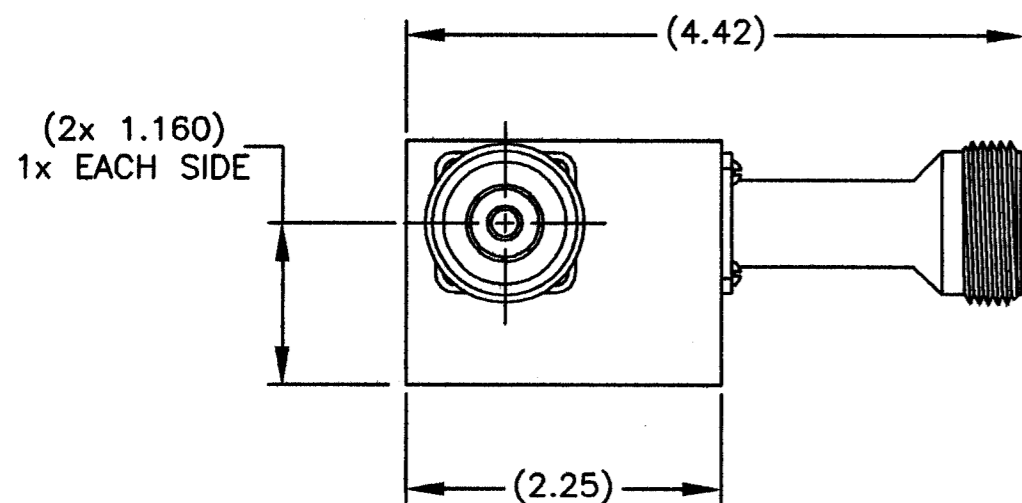
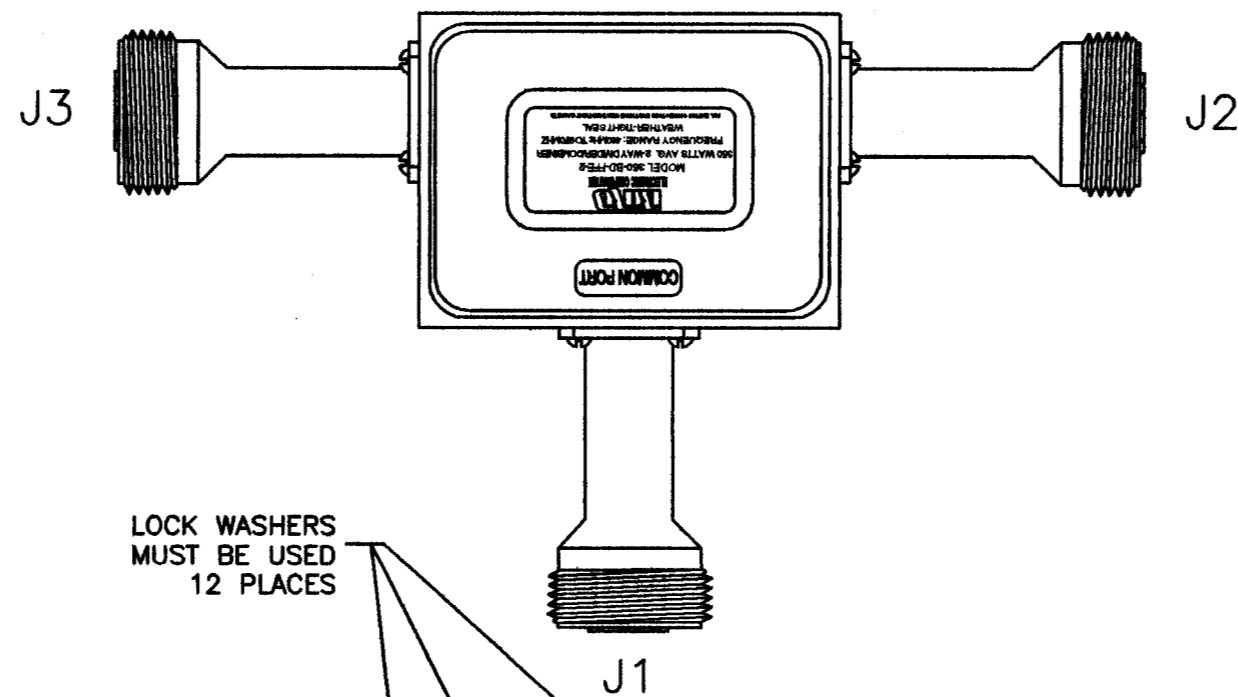



SPECIFICATIONS:
 FREQUENCY RANGE: 460 MHz TO 970 MHz
 POWER RATING: 350 WATTS INTO MATCHED LOADS
 150 WATTS INTO MISMATCH CONDITIONS
 VSWR: INPUT (J1) 1.30:1 MAX.
 OUTPUT (J2,J3) 1.20:1 MAX.
 INSERTION LOSS: <0.4dB TYP., <0.5dB MAX.(ABOVE 3dB SPLIT)
 ISOLATION: 20dB MIN.
 PHASE BALANCE: 2° MAX.
 AMPLITUDE BALANCE: 0.2dB MAX.
 MAXIMUM OPERATING TEMPERATURE: 100°C.
 CONNECTORS: 7/16 IEC FEMALE, SILVER PLATED (HERMETIC FLANGE)
 - ALL MATING CONNECTORS MUST HAVE WEATHER-TIGHT GASKETS
 HOUSING: ALUMINUM, TRI-ALLOY PLATED
 NOMINAL SIZE: 4.42" L X 7.35" W X 1.75" H.

NOTE: TO ACHIEVE MAXIMUM POWER DISSIPATION
 UNDER MISMATCH CONDITIONS IT IS NECESSARY
 TO PROVIDE A HEAT SINK THAT MAINTAINS A
 CASE TEMPERATURE AT OR BELOW 100°C.

REVISIONS		DWG. NO.	350-BD-FFE-2	SHEET	REV
ZONE	REV	DESCRIPTION	DATE	APPROVED	
	A	CONVERT TO BEC FORMAT	DMR 2-12-03	<i>MAW</i>	



UNLESS OTHERWISE SPECIFIED DIMENSIONS ARE IN INCHES TOLERANCES ARE:		MILLIMETERS X = ±.4 XX = ±.12		THIS DRAWING IS THE PROPERTY OF THE BIRD ELECTRONIC CORPORATION. THE DESIGNS AND SPECIFICATIONS DISCLOSED HEREON ARE PROPRIETARY AND SHALL NOT BE REPRODUCED, NOR COPIED, NOR USED AS THE BASIS FOR THE MANUFACTURE OR SALE OF APPARATUS OR DEVICES WITHOUT THEIR EXPRESS WRITTEN CONSENT.		 BIRD Electronic Corporation Cleveland (Solon) Ohio USA	
FRACTIONS ± 1/64		DECIMALS .XX ± .010 .XXX ± .005		ANGLES ± 30'		DO NOT SCALE DRAWING	
MATERIAL	APPROVALS	DATE	TITLE				
	D.M.RINK	2-12-03	DIVIDER/COMBINER, WEATHER TIGHT, 2-WAY WILKERSON, 7/16 IEC FEMALE, 460MHZ TO 970MHZ				
FINISH	CHECKED		SIZE	FSCM NO.	DWG. NO.	REV	
	<i>MAW</i>	2-12-03	C	70998	350-BD-FFE-2	A	
	APPROVED	AUTOCAD	SCALE	1:1	COMM CODE	BC3	SHEET 1 OF 1